



GRILL

GRILLING SOLUTIONS

KOPA

GRILLING SOLUTIONS



Custom Charcoal Parilla Grill with electric ignition
and diverse grilling inserts

KOPPA
GRILLING SOLUTIONS



Charcoal Parilla grill & double electric rotisserie

KOPPA
GRILLING SOLUTIONS



Charcoal double Parilla grill & one sided electrical turning skewers section

KOPA
GRILLING SOLUTIONS



Charcoal Parilla with planetary rotisserie

KOPA

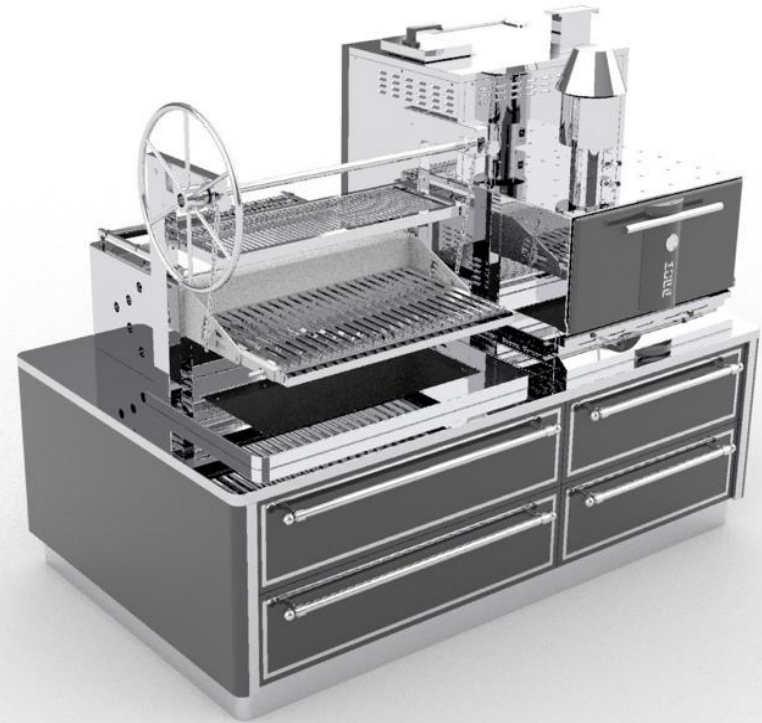
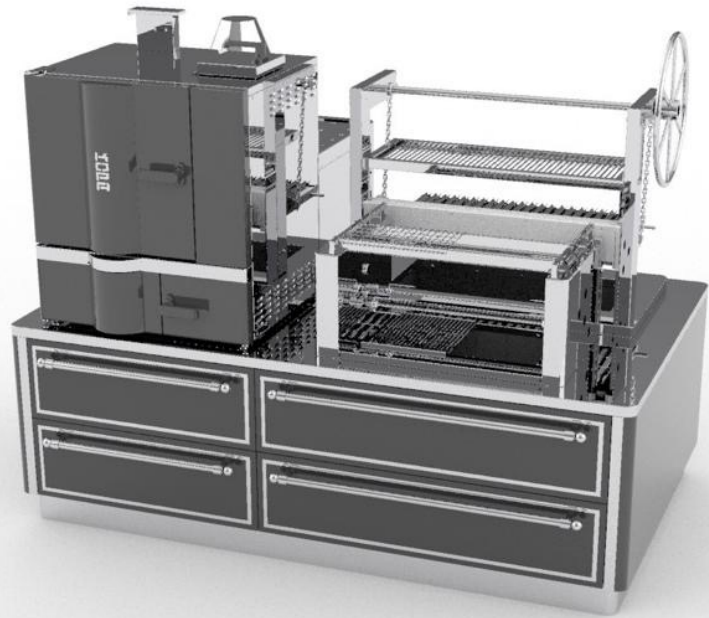
GRILLING SOLUTIONS



Kopa Grilling Combo with Double Parilla and Charcoal Oven

KOPA

GRILLING SOLUTIONS



Grilling suite: Kopaoven, Robata, Parilla and smoking oven. All charcoal



Mangal island with storage



Double robata with refrigerated drawers

KCPA
GRILLING SOLUTIONS



Charcoal grill “Portuguese” style with electric turning skewers (Option: Gas / lavastone)

KCPA

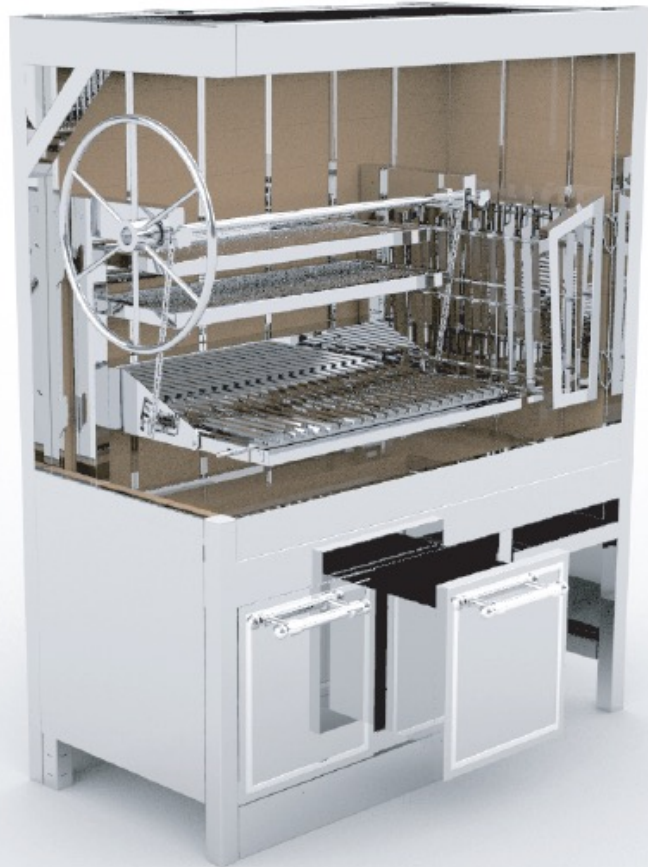
GRILLING SOLUTIONS



Rotisserie grill / gas-lavastone operated with 36 electrical turning point for skewers

KOPA

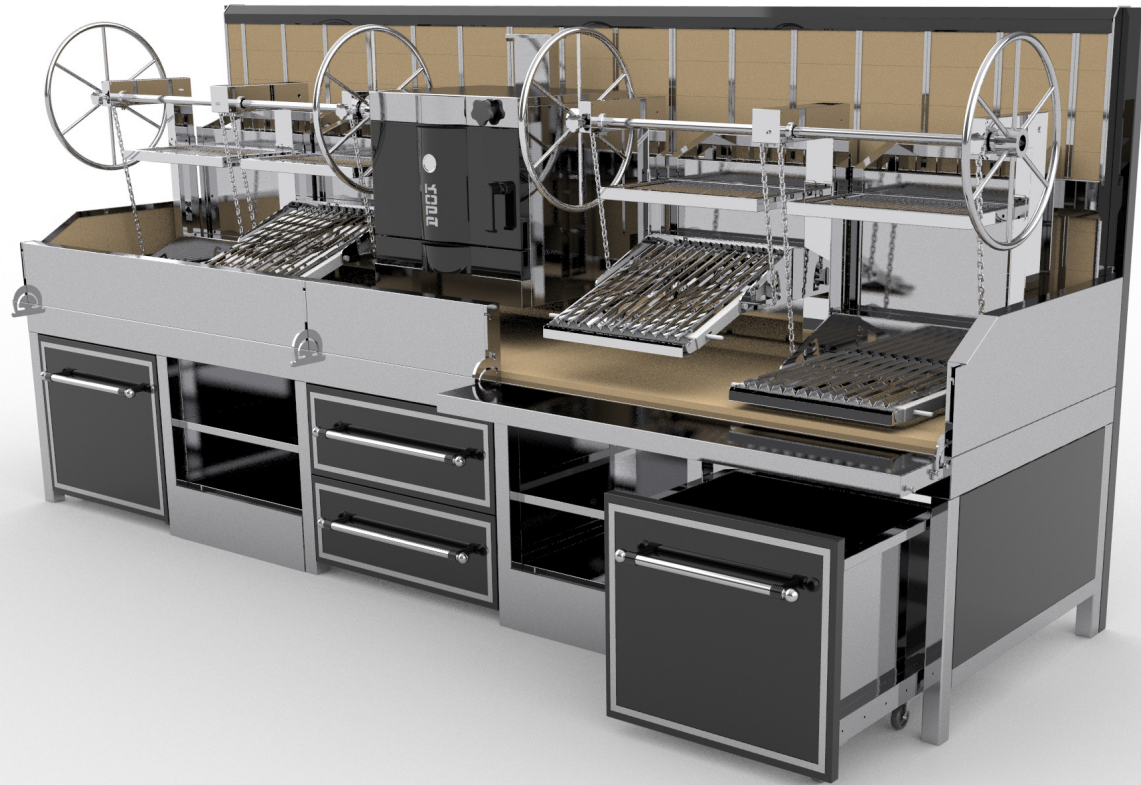
GRILLING SOLUTIONS



Openfire grill with Parilla section and storage

KOPA

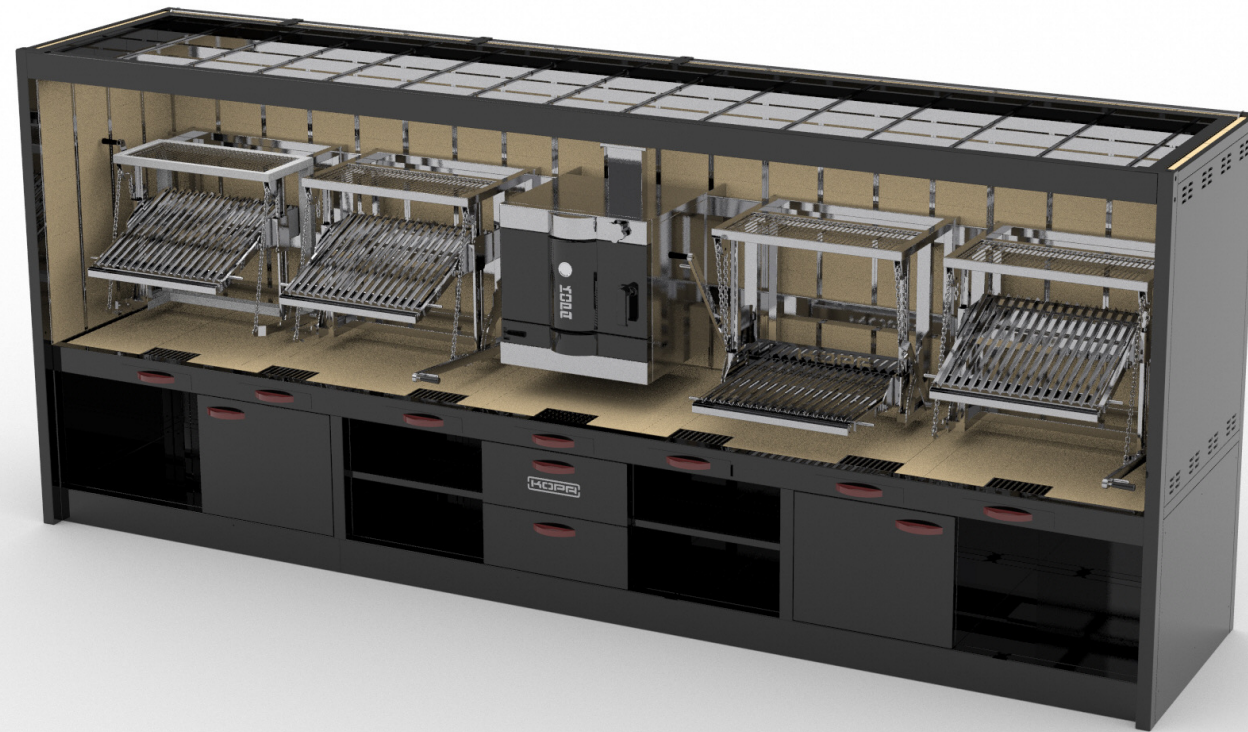
GRILLING SOLUTIONS



Openfire wood burning grill

KOPA

GRILLING SOLUTIONS



Kopa FirePlace with four parillas and indirect oven

KOPA

GRILLING SOLUTIONS



Kopa FirePlace with pizza oven and double Parilla

KOPA

GRILLING SOLUTIONS



Kopa FirePlace with Indirect oven, Smoker, Parilla and Plancha

KOPA

GRILLING SOLUTIONS



Kopa Grilling / Cooking Suite with gas range, Parilla, Smoker and Charcoal Oven



**REDISCOVER
GRILLING**